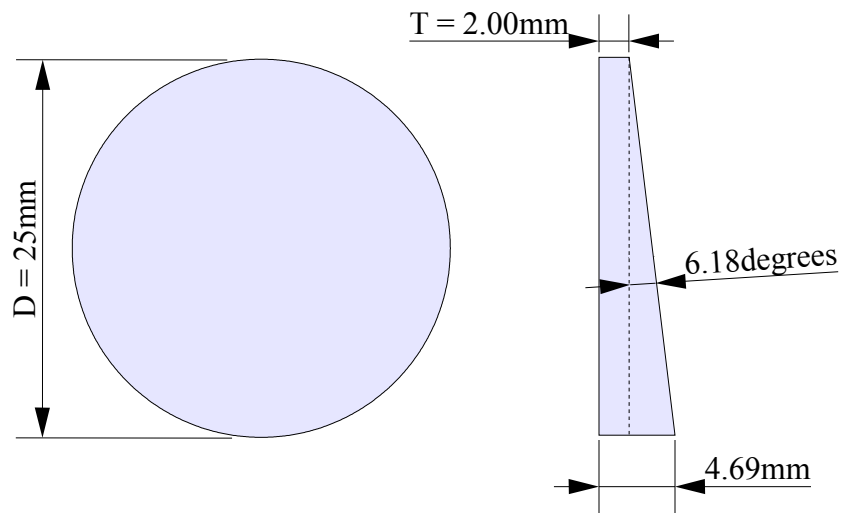


Prism 1:

Specifications:

Material: IRGn6 glass Diameter: 25mm Diameter tolerance: +0.00/-0.10mm Surface quality: 60-40 Surface accuracy: $\lambda/20$ @ 1.5microns	Bevel: 0.3mm x 45° Angle: 6.18° angle tolerance: +/- 30arcsecond Thickness: 2mm Coating: broad band AR, 1.5-2.4microns
-------------------------------------------------------------------------------------------------------------------------------------------------------	------------------------------------------------------------------------------------------------------------------------------------



Prism 2:

Specifications:

Material: IRGn6 glass Diameter: 25mm Diameter tolerance: +0.00/-0.10mm Surface quality: 60-40 Surface accuracy: $\lambda/20$ @ 1.5microns	Bevel: 0.3mm x 45° Angle: 17.5° angle tolerance: +/- 30arcsecond Thickness: 2mm Coating: broad band AR, 1.5-2.4microns
-------------------------------------------------------------------------------------------------------------------------------------------------------	------------------------------------------------------------------------------------------------------------------------------------

